



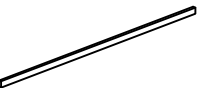
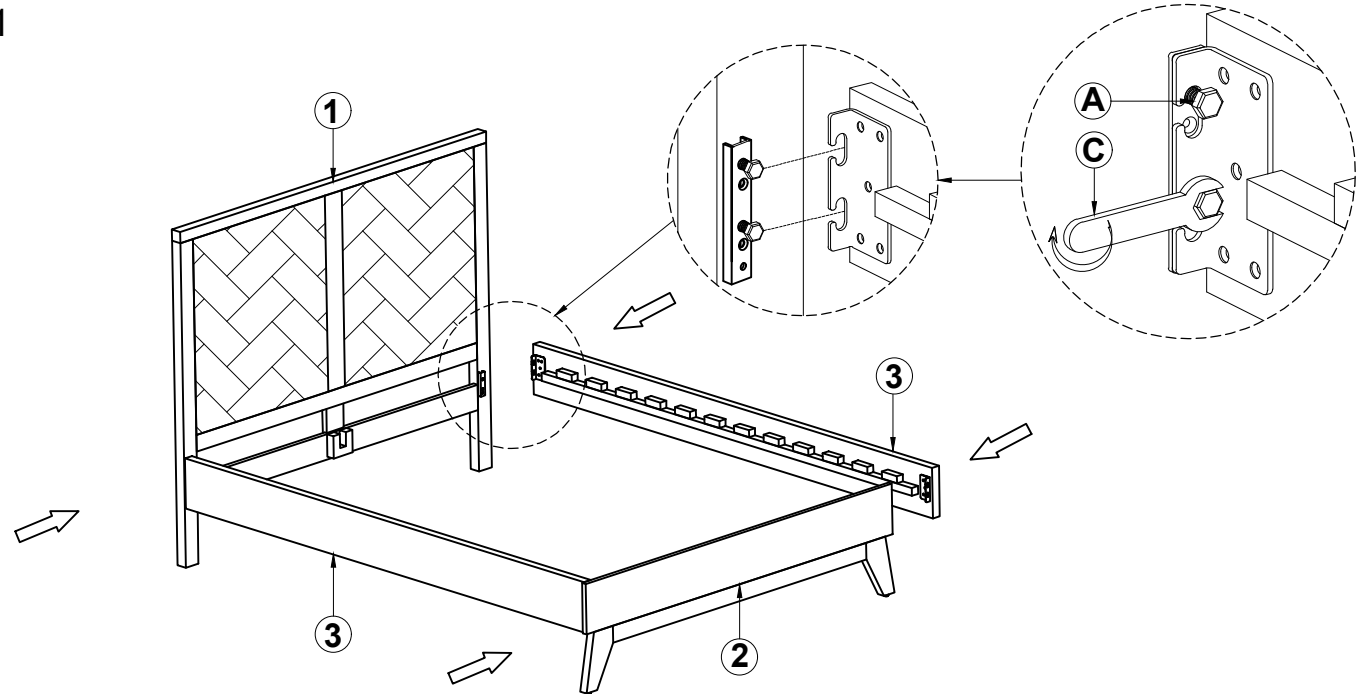


ASSEMBLY INSTRUCTION INDIANA - 5' BED FRAME

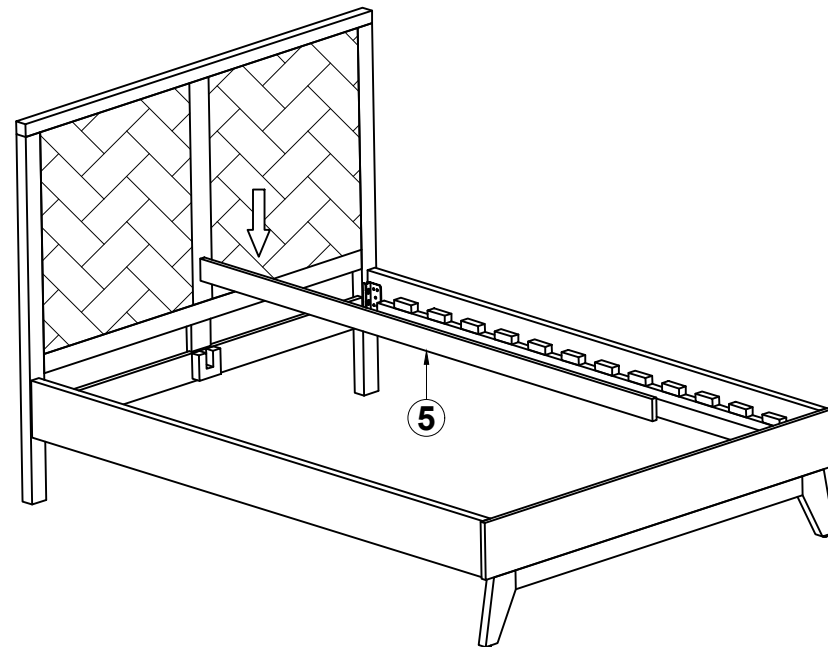
PARTS LIST

NO	DRAWING	DESCRIPTION	QTY
①		HEAD BOARD	1
②		FOOT BOARD	1
③		SIDE RAIL	1
④		SLAT FRAME	14
⑤		MIDDLE RAIL	1


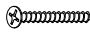
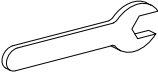
STEP 1



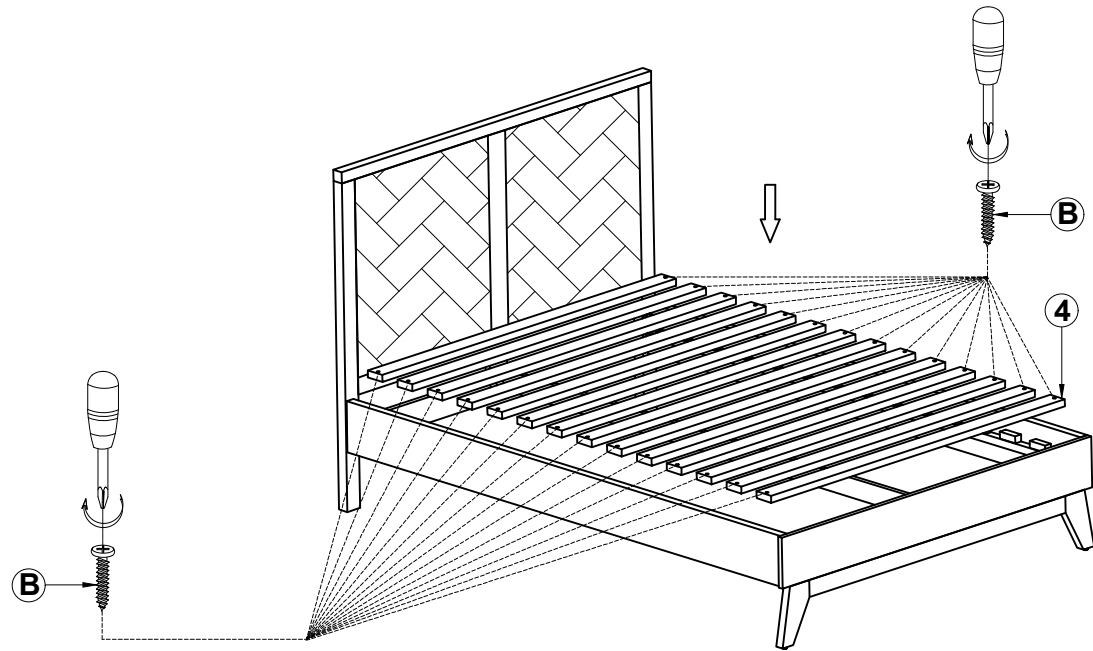
STEP 2



HARDWARE LIST

NO	DRAWING	DESCRIPTION	QTY
Ⓐ		BOLT (M8 x 30mm)	8
Ⓑ		SCREWS (M4 x 30mm)	28
Ⓒ		SPANNER (M12)	1

STEP 3



STEP 4

